


iQ300, Electric Hob, 60 cm, Black, ET675FNP1E



- ✓ Space for large roasting pans thanks to the extendable roasting zone.
- ✓ touchSlider control allows to control the temperature by entering it directly or by moving the slider with a single finger.
- ✓ The timer with switch-off function safely shuts off the cooking zone when the selected cooking time expires.

HZ32WA00	Wireless food thermometer
HZ390090	Wok Set consisting of 3 Items
HZ392617	Intermediate bottom
HZ394301	Connecting strip
HZ9SE030	Set of 2 pots and 1 pan

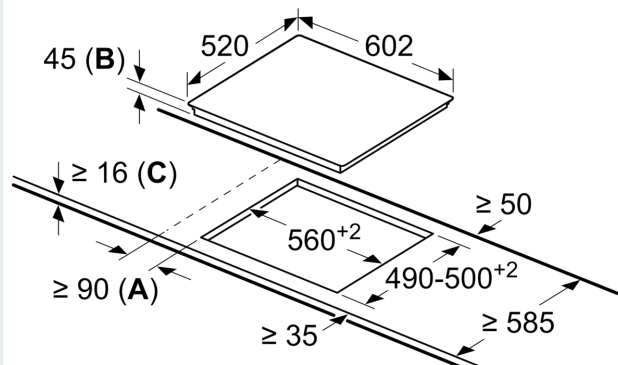
Product name/family: Cooking zone ceramic
 Design: Built-in
 Type of heating: Electric hob
 Total number of positions that can be used at the same time: 4
 Min. required niche size for installation (HxWxD):45 x 560-560 x 490-500 mm
 Width of the appliance: 602 mm
 Dimensions:45 x 602 x 520 mm
 Dimensions of the packed product (HxWxD): ... 100 x 750 x 590 mm
 Net weight: 8.1 kg
 Gross weight: 8.8 kg
 Residual heat indicator:yes
 Location of control panel: Front
 Basic surface material: Ceramic
 Color of surface: Black, Alu, brushed
 EAN code:4242003762851
 Voltage:220-240 V
 Frequency:50; 60 Hz



4 242003 762851

iQ300, Electric Hob, 60 cm, Black, ET675FNP1E

measurements in mm



- A:** Minimum distance from the hob cut-out to the wall.
- B:** Recessed depth
- C:** With fitted oven underneath min. 20, possibly more; see space requirements for the oven.