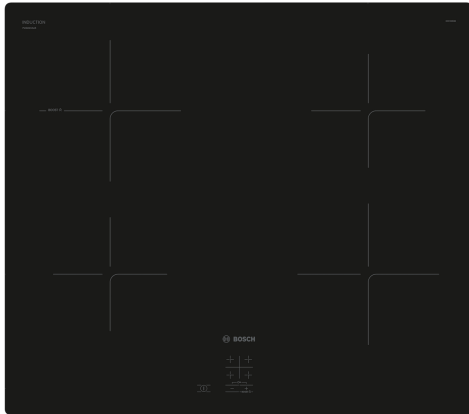


**Series 2, Induction Hob, 60 cm,
Black,
PUG61KAA5E**



The induction hob: cook fast, clean and safely while using very little energy.

- **Induction:** Fast, precise cooking, easy cleaning and low energy consumption.
- **QuickStart:** start straight away and select the desired cooking level.
- **Power Boost:** up to 35% faster heating compared to highest power level.
- **ChildLock:** locks the control panel to prevent accidental changes in settings.

Product name/family: Cooking zone ceramic
 Built-in / Free-standing: Built-in
 Energy input: Electric
 Total number of positions that can be used at the same time: 4
 Min. required niche size for installation (HxWxD): 51 x 560-560 x 490-500 mm
 Width of the appliance: 592 mm
 Dimensions: 51 x 592 x 522 mm
 Dimensions of the packed product (HxWxD): 130 x 753 x 600 mm
 Net weight: 8.9 kg
 Gross weight: 11.1 kg
 Residual heat indicator: yes
 Location of control panel: Front
 Basic surface material: Ceramic
 Color of surface: Black
 Length electrical supply cord: 110.0 cm
 EAN code: 4242005293957
 Voltage: 220-240 V
 Frequency: 50; 60 Hz

- HEZ32WA00 Wireless food thermometer
- HEZ390090 Wok Set consisting of 3 Items
- HEZ9ES100 Espresso maker 4 cups
- HEZ9SE030 Set of 2 pots and 1 pan
- HEZ9SE040 4 pieces Set
- HEZ9SE060 6 pieces Set



Series 2, Induction Hob, 60 cm, Black, PUG61KAA5E

The induction hob: cook fast, clean and safely while using very little energy.

- 60 cm: space for 4 pots or pans.

Flexibility of cooking zones

- Cooking zone front left: 145 mm, 1.4 KW
- Cooking zone rear left: 180 mm, 1.8 KW (max. power 3.1 KW)
- Cooking zone rear right: 145 mm, 1.4 KW
- Cooking zone front right: 180 mm, 1.8 KW

Comfort & Convenience

- Variable 9-stage power settings for each zone: precisely adapt the heat with 9 power levels.

Time saving & efficiency

- PowerBoost function in the front left zone
- : boil water more quickly thanks to 50% more energy than at the highest standard level.
- yes: when switching on, the hob automatically selects the cooking zone with cookware (placed in off-mode).
- yes: quickly switch off a cooking zone with one longer touch.

Design

- Frameless design

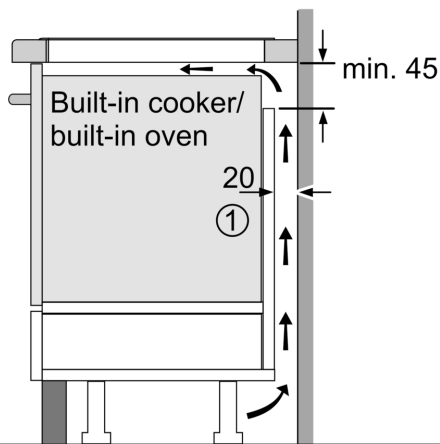
Safety

- Safety lock: prevent unintended activation of the hob.
- Main on/off switch: switch off all cooking zones at the touch of a button.
- Automatic safety switch-off: for safety reasons, heating stops after a preset time without interaction (customizable).

Installation

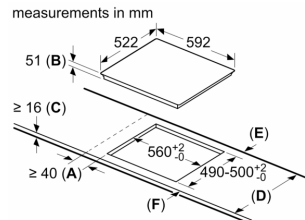
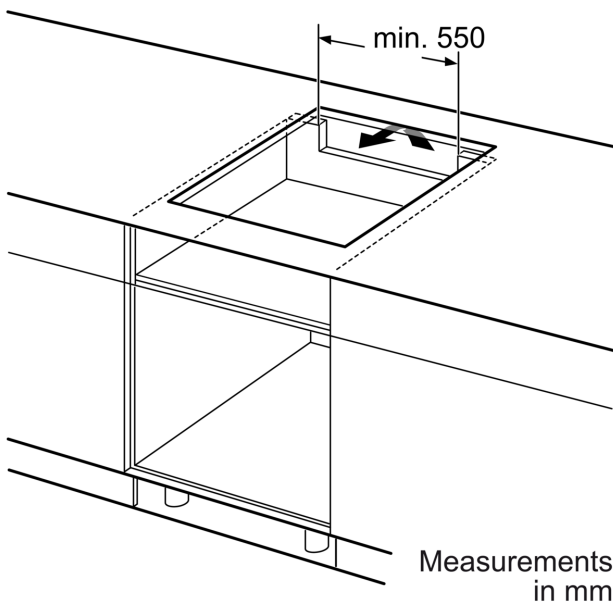
- Dimensions of the product (HxWxD mm): 51 x 592 x 522
- Required niche size for installation (HxWxD mm) : 51 x 560 x (490 - 500)
- Min. worktop thickness: 16 mm
- Connected load: 4600 W
- power management function: limit the maximum power if needed (depends on fuse protection of electric installation).
- Power cord: 110 cm, connected directly

**Series 2, Induction Hob, 60 cm,
Black,
PUG61KAA5E**



①
Ventilation gap must
be present

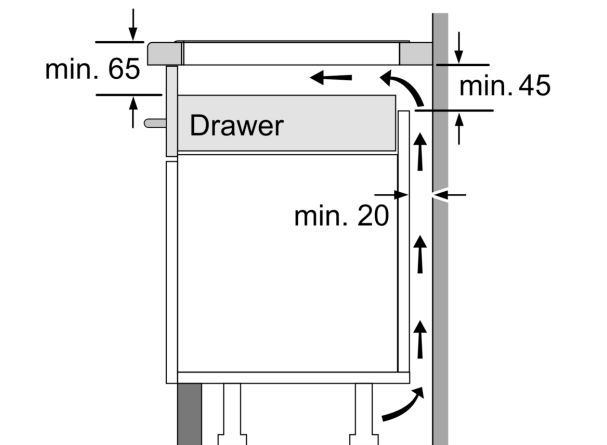
All measurements in mm



A: Minimum distance from the hob cut-out to the wall.
B: Recessed depth
C: The clearance between the surface of the worktop and the top of the front of the oven must be 30 mm. See space requirements for the oven.

The worktop into which the hob is installed must withstand loads of approx. 60 kg; suitable substructures must be used if required.

D	E	F
585-600	50	≥ 35
> 600	≥ 50	≥ 50



Measurements in mm